



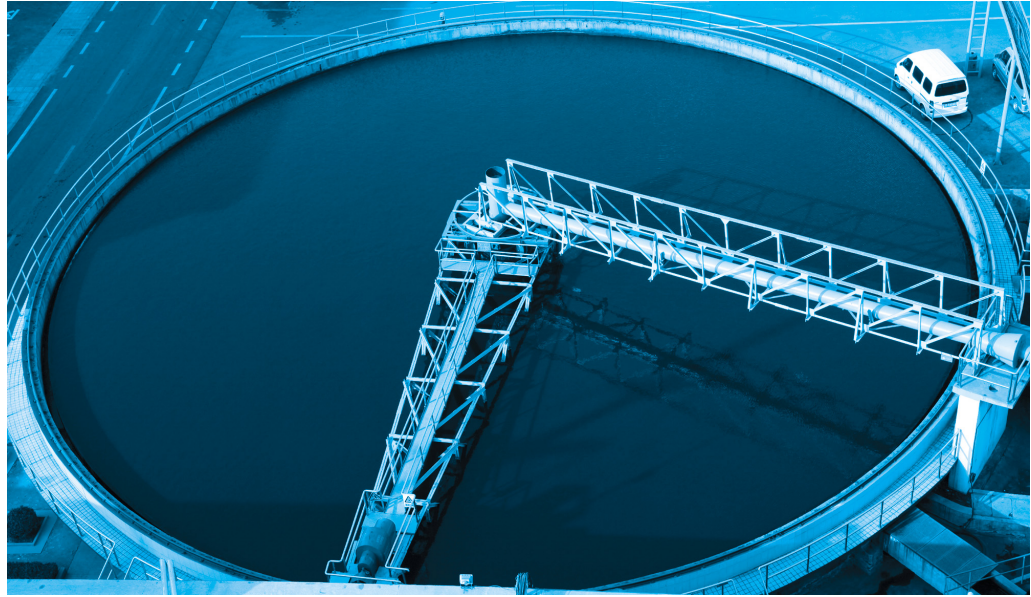
WQ 系列 污水潜水电泵
WQ series sewage water
submersible electric pump





WQ系列 污水潜水电泵

WQ series sewage water
submersible electric pump



产品概述 Product outline

WQ型无堵塞潜水排污泵是在引进国外先进技术的基础上，结合国内水泵的使用特点而研制成功的新一代泵类产品，具有节能效果显著、防缠绕、无堵塞、自动安装和自动控制等特点。在排送固体颗粒和长纤维垃圾方面，具有独特效果。

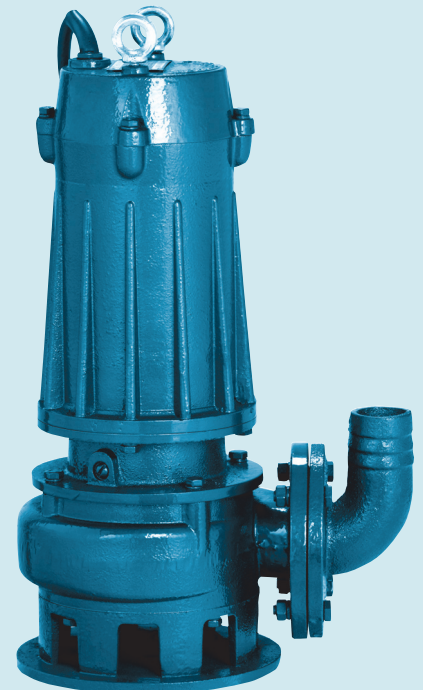
该系列泵采用独特叶轮结构和新型机械密封，能有效地输送含有固体物和长纤维的液体，与传统叶轮相比，该泵叶轮采用单流道或双流道形式，它类似于同一截面大小相同的弯管，具有非常好的过流性，叶轮经动静平衡试验，配以合理的涡壳，使得该泵具有效率高，在运行中无振动，稳定性好。

该产品采用自动耦合装置系统，安装方便，降低工程费用与运行费用，是污水排放及工程给水和农田灌溉理想的产品，深受广大用户的欢迎和好评。

WQ series no-clog sewage water submersible electric pump is a kind of brand new product researched and manufactured on the basis of adopting the foreign advanced technology and combined the domestic pump using characters, featuring great energy-save, non-intertwist, no-clog, automatic installing and controlling. And has unique result in discharging the solid grain and long-fibre wastes.

This series pump has adopted the unique impeller structure and new mechanical sealing, can efficiently transport the liquid with solid matter and long fibre, compare with the traditional impeller, this impeller has adopted the single flow passage or double flow passage, it is just like a elbow tube with same section area, has excellent flowing ability, the impeller has been through the dynamic and static balance test, and matching with reasonable vortex shell, thus enabling the pump with high efficiency and good stability, non-vibration in operation.

The product has adopted the automatic coupling-set system, convenient to install, low engineering cost and low operation cost, it is a ideal product for sewage water draining and feeding water for engineering, farmland irrigation, warmly welcomed and praised by the vast users.





产品特点

Product characteristic

1. 叶轮采用独特的单叶片或双叶片结构，大大提高了污物通过能力，能有效的通过泵口径的5倍纤维物质与直径为泵口约50%的固体颗粒。
2. 机械密封采用双端面机械密封，材质为硬质合金耐腐碳化钨材料，具有经久耐用、耐磨等特点。
3. 整体结构紧凑、体积小、噪音低、节能效果显著，检修方便，无需建泵房，潜入水中即可工作，大大减少工程造价。
4. 可根据用户需要，在油室内设置高精度，抗干扰漏水检测传感器，同时定子绕组内预埋了热敏元件。一旦机械密封受损，水进入密封油室，或者电机过载发热，传感器和热敏元件会对水泵电机进行绝对保护。
5. 可根据用户需要配备全自动安全保护控制柜，对泵的漏水、漏电，过载及超温等进行绝对保护，提高了产品的安全性和可靠性。
6. 浮球开关可以根据所需液位变化，自动控制泵的起动与停止，无需专人看管，使用极为方便。
7. 可根据用户需要配备双导轨自动耦合安装系统，它给安装、维修带来极大方便，人可不必为此进入污水坑。
8. 有两种不同的安装方式，固定式自动耦合安装系统和移动式自由安装系统，可满足不同的使用场合。

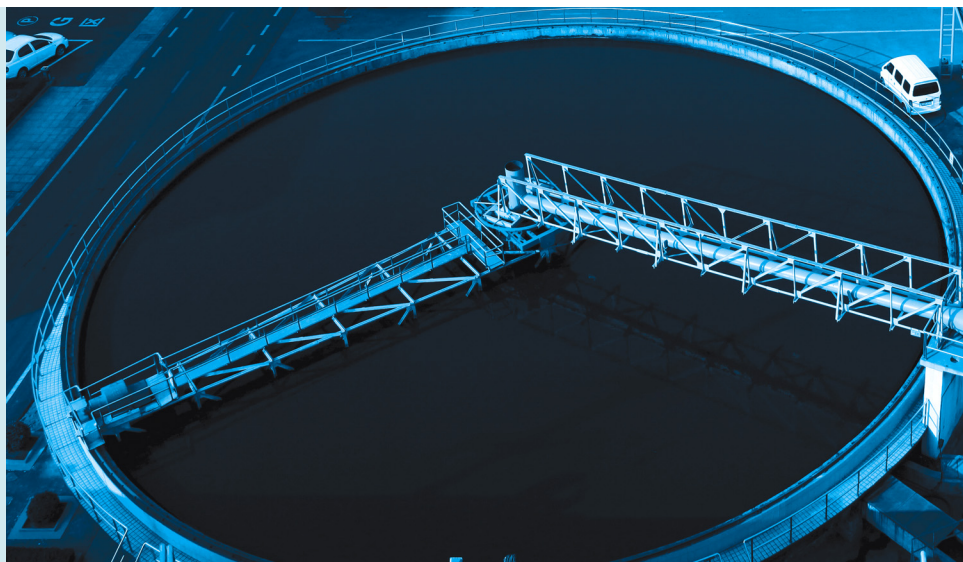


WQ系列 污水潜水电泵

WQ series sewage water
submersible electric pump

产品特点

Product characteristic



- 1.The impeller has adopted unique single blade or double blade structure, greatly increased the filth passing ability. The fiber material which 5 times of the pump diameter and the solid grain which 50% of the pump diameter can be easily passed through.
- 2.Mechanical seal is double mechanical seal made of corrosion resistant tungsten carbide as a hard alloy, featuring long-use and wear-resistance.
- 3.The whole structure compact, small volume, low noise , remarkable energy saving, convenient inspection, no need to build pump house, just work in the submersible water, greatly reduce the project cost.
- 4.As requested by the user, an anti-jamming water leakage detecting transducer with high accuracy is available to be set in the oil chamber as well as to recess a thermal sensor in the stator windings as required by the user. In case the mechanical sealing damaged, water coming into the sealing oil chamber, or the motor getting hot by over-load, the transducer and the thermal sensor can absolutely protect the pump motor.
- 5.As the user request, the automatic safety-protection controlling cabinet can be arranged to absolutely protect the pump from water leakage, electric leakage, over-load and over-temperature, enhancing the product safety and reliability.
- 6.The float-ball switch can automatically control the pump to start or stop according to the request liquid position change, no need special person to take care, it is most convenient to use.
- 7.As requested by the user, a double guide-rail automatic coupling mounting system can be equipped, bringing great convenient to the mounting and maintenance and allowing the maintenance personnel to maintain the machine without walking into the sewage pit.
- 8.Can provide two kinds of mounting type to satisfy the different usage, i.e. Fixing automatic coupling mounting system and the moving free mounting system.



产品适用场合

Product for environment

- | | |
|-------------------|---|
| 1. 工厂商业严重污染废水的排放。 | 1. Discharge for serious polluted waste water from factory or commerce. |
| 2. 城市污水处理厂排水系统。 | 2. Draining system of city sewage water treatment. |
| 3. 住宅区的污水排水站。 | 3. Draining waste water station from community. |
| 4. 人防系统排水站。 | 4. Water discharging station for civil air defence. |
| 5. 医院、宾馆的污水排放。 | 5. Waste water discharging for hospital, hotel. |
| 6. 市政工程、建筑工地。 | 6. Municipal project, construction worksite. |
| 7. 勘探、矿山配套附机。 | 7. Matching facility for exploration, mine. |
| 8. 农村沼气池农田灌溉。 | 8. Countryside methane pit, farmland irrigation. |
| 9. 自来水厂的给水装置。 | 9. Water-supply set for running water plant. |

使用条件 Use conditions

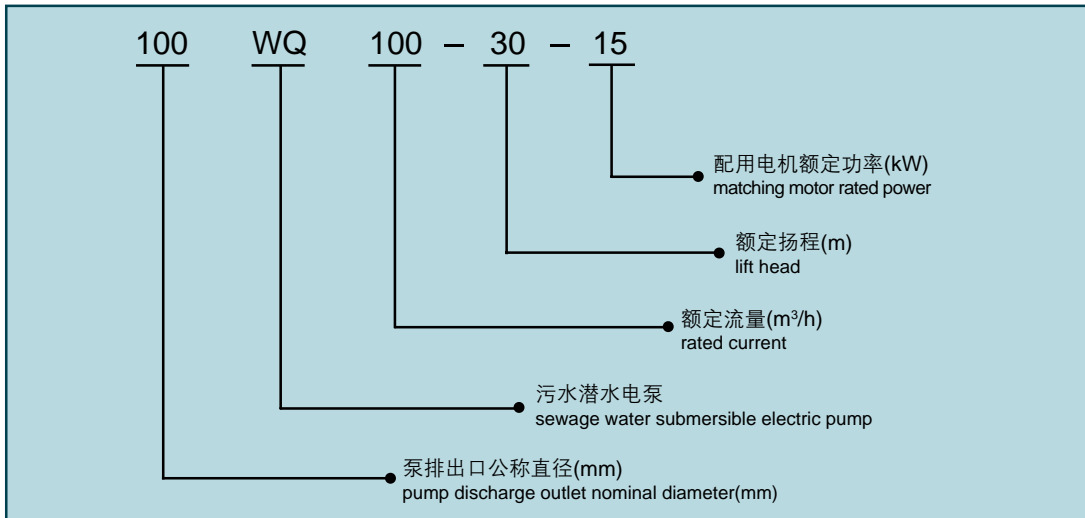
- | | |
|--|---|
| 1. 介质温度不超过 60℃，重度为 1.0~1.3kg/dm ³ ，PH 值在 5~9 范围内。 | 1. The medium temperature is not more than 60℃, weightiness is 1.0~1.3kg/dm ³ , PH value range is 5~9. |
| 2. 无内自流、循环冷却系统的泵，电机部分露出液面不超过 1/2。 | 2. For the pump without inside self-flow, circulation cooling system, the motor out of liquid surface is not more than 1/2. |
| 3. 一般情况下，泵必须在使用扬程范围内使用，保证电机不过载，如需在全扬程范围内使用，应在订货时另行注明，以便厂家制造。 | 3. The pump must be normally used within the use range of the lift head to guarantee the motor not overload. If need to use at the full range lift head, should be mentioned on the booking order to let the producer to manufacture. |
| 4. 在运行过程中电机电流不得超过电机的额定电流。 | 4. During operation, the motor current should not be more than rated current. |



WQ系列 污水潜水电泵

WQ series sewage water
submersible electric pump

型号意义 Type explanation



结构说明 Structure explanation

WQ型无堵塞潜水排污泵由电机与泵两部分组成，二者通过油室及机械密封隔开，属机电一体化产品，机泵同轴(转子)整个水泵长度短，结构紧凑。可定制多种保护装置，使得泵运行安全可靠。

其主要部件使用如下：

信号线：配制全保护水泵控制柜，对泵实行全方位保护，包括漏水、断相、短路、过热、电机过载等项目。

电机定子：采用B级或F级绝缘。

漏水探头：该元件装在油室内，当机械密封损坏后，水进入油室，探头可发出信号同时控制系统对泵实施保护。

叶轮：叶轮采用单流道或双流道结构，具有很强的通过能力，能够通过大的物料及纤维垃圾，减少堵塞、缠绕的故障。

涡壳：与叶轮配用，使得泵具有高效率。

WQ type no-clog sewage discharging submersible pump is composed of motor and pump separated by the oil chamber and mechanical sealing, it is a integrated mechanical and electrical product, the motor and pump have same shaft (rotor), the whole compact structure matching with several protection facilities. Multiple protection devices can be equipped to ensure the pump operation in safety and reliability. The functions of main parts are as follows:

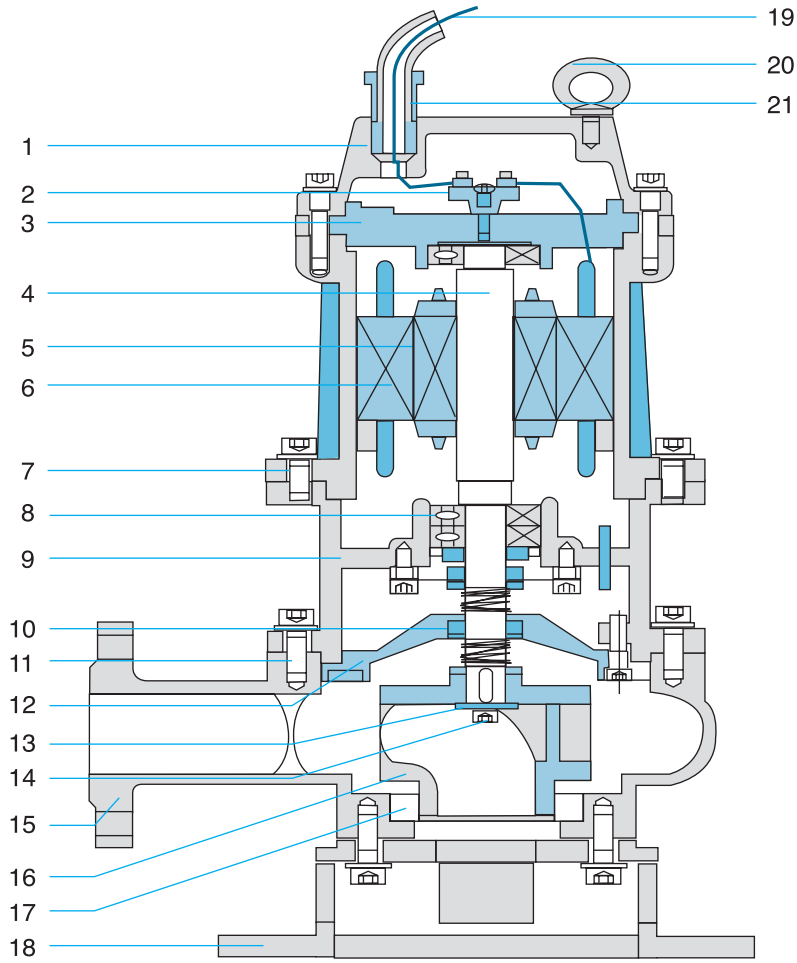
Signal line: the pump is matching with all-insurance controlling cabinet, performing all round protection including water leakage, lack phase, short circuit, over heat, and over load etc.

Motor stator: adopting B class or F class insulation.

Water leakage detector: this element mounting in the oil chamber can give signal and together with the controlling system to protect the pump when the mechanical sealing damaged and water coming into the oil chamber.

Impeller: the impeller has adopted the single-channel or double-channel structure, the big matter and fiber waste can pass through, thus reducing the trouble of clog and intertivist.

Vortex shell: matching with impeller, enabling the pump with high efficiency.



- | | | | |
|-----------------------------|-----------------------------|-----------------------|-----------------------|
| 1. 上盖 | 2. 接线柱 | 3. 上轴承座 | 4. 转子 |
| 5. 转子铁芯 | 6. 定子部件 | 7. 螺栓 | 8. 轴承 |
| 9. 油室 | 10. 机械密封 | 11. 螺栓 | 12. 油室盖 |
| 13. 垫片 | 14. 轴头锁紧螺母 | 15. 涡壳 | 16. 叶轮 |
| 17. 骨架油封 | 18. 进水节 | 19. 电缆 | 20. 吊环螺钉 |
| 21. 电缆护套 | | | |
| 1. upper cover | 2. connecting plate | 3. upper bearing base | 4. rotor shaft |
| 5. rotor iron core | 6. stator component | 7. bolt | 8. bearing |
| 9. oil chamber | 10. mechanical sealing | 11. bolt | 12. oil chamber cover |
| 13. mat piece | 14. shaft end fastening nut | 15. vortex shell | 16. impeller |
| 17. framework oil sealing | 18. water inlet joint | 19. cable | 20. sling screw |
| 21. cable protection sleeve | | | |



WQ系列 污水潜水电泵

WQ series sewage water submersible electric pump

性能参数表 Performance parameter table

序号 No.	型号 Type	口径 Diameter	流量 Discharge capacity	扬程 Lift head	转速 Rotation speed	功率 Power	效率 Efficiency	重量 Weight	水泵电器控制柜 Pump electric controlling cabinet	自动耦合器 Automatic coupling	扬程使用范围 Lift head use range
		(mm)	(m ³ /h)	(m)	(r/min)	(kW)	(%)	(kg)			
1	50WQ7-15-1.1	50	7	15	2860	1.1	45	27	THZ-1.1	GAK-50	6-15
2	50WQ10-10-0.75	50	10	10	2860	0.75	54	25	THZ-0.75		5-10
3	50WQ12-40-3	50	12	40	2860	3	50	50	THZ-3		30-44
4	50WQ15-7-1.1	50	15	7	2860	1.1	48	27	THZ-1.1	GAK-50	5-10
5	50WQ15-20-2.2	50	15	20	2860	2.2	51	43	THZ-2.2	GAK-50	10-20
6	50WQ15-30-3	50	15	30	2860	3	55	54	THZ-3	GAK-50	15-30
7	50WQ15-48-4	50	15	48	2860	4	55	58	THZ-4		42-53
8	50WQ15-60-5.5	50	15	60	2860	5.5	58	65	THZ-5.5		45-63
9	50WQ20-15-1.5	50	20	15	2860	1.5	55	55	THZ-1.5	GAK-50	7-15
10	50WQ25-24-3	50	25	24	2860	3	54	54	THZ-3	GAK-50	13-24
11	50WQ25-32-5.5	50	25	32	2860	5.5	53	100	THZ-5.5	GAK-50	18-32
12	50WQ25-40-5.5	50	25	40	2860	5.5	53	77	THZ-5.5	GAK-50	30-40
13	65WQ20-18-2.2	65	20	18	2860	2.2	48	43	THZ-2.2	GAK-65	9-18
14	65WQ40-30-5.5	65	40	30	2860	5.5	72	70	THZ-5.5	GAK-65	18-32
15	80WQ30-26-4	80	30	26	2860	4	53	62	THZ-4	GAK-80	15-26
16	80WQ43-13-3	80	43	13	2860	3	57	54	THZ-3	GAK-80	6-13
17	80WQ40-15-3	80	40	15	2860	3	57	54	THZ-3	GAK-80	7-15
18	80WQ45-22-7.5	80	45	22	2860	7.5	60	110	THZ-7.5	GAK-80	10-22
19	100WQ50-10-4	100	50	10	2860	4	57	62	THZ-4	GAK-100	5-10
20	100WQ65-18-5.5	100	65	18	2860	5.5	56	77	THZ-5.5	GAK-100	9-18
21	100WQ80-10-4	100	80	10	2860	4	62	130	THZ-4	GAK-100	4-10
22	100WQ110-10-5.5	100	110	10	2860	5.5	66	155	THZ-5.5	GAK-100	5-10
23	100WQ100-15-7.5	100	100	15	2860	7.5	67	170	THZ-7.5	GAK-100	8-15
24	100WQ80-20-7.5	100	80	20	2860	7.5	68	170	THZ-7.5	GAK-100	10-20
25	100WQ100-25-11	100	100	25	1450	11	65	270	THZ-11	GAK-100	10-25
26	100WQ100-30-15	100	100	30	1450	15	66	300	THZ-15	GAK-100	12-30
27	100WQ100-35-18.5	100	100	35	1450	18.5	65	380	THZ-18.5	GAK-100	15-35
28	125WQ130-15-11	125	130	15	1450	11	62	380	THZ-11	GAK-125	7-15
29	125WQ130-20-15	125	130	20	1450	15	63	300	THZ-15	GAK-125	10-20
30	150WQ145-9-7.5	150	145	9	2860	7.5	65	180	THZ-7.5	GAK-150	10-20
31	150WQ180-15-15	150	180	15	1450	15	75	280	THZ-15	GAK-150	5-15
32	150WQ180-20-18.5	150	180	20	1450	18.5	76	400	THZ-18.5	GAK-150	8-20
33	150WQ180-25-22	150	180	25	1450	22	75	430	THJ-22	GAK-150	12-25
34	150WQ130-30-22	150	130	30	1450	22	73	450	THJ-22	GAK-150	15-30
35	150WQ180-30-30	150	180	30	1450	30	70	500	THJ-30	GAK-150	15-30
36	150WQ200-30-37	150	200	30	1450	37	65	600	THJ-37	GAK-150	15-30
37	200WQ300-7-11	200	300	7	1450	11	73	450	THZ-11	GAK-200	4-7
38	200WQ250-11-15	200	250	11	1450	15	74	400	THZ-15	GAK-200	4-11

序号 No.	型号 Type	口径 Diameter	流量 Discharge capacity	扬程 Lift head	转速 Rotation speed	功率 Power	效率 Efficiency	重量 Weight	水泵电器 控制柜 Pump electric controlling cabinet	自动耦合器 Automatic coupling	扬程使用范围 Lift head use range
		(mm)	(m ³ /h)	(m)	(r/min)	(kW)	(%)	(kg)			
39	200WQ400-10-22	200	400	10	1450	22	76	450	THJ-22	GAK-200	5-10
40	200WQ400-13-30	200	400	13	1450	30	73	650	THJ-30	GAK-200	6-13
41	200WQ250-15-18.5	200	250	15	1450	18.5	72	500	THZ-18.5	GAK-200	7-15
42	200WQ300-15-22	200	300	15	1450	22	73	550	THJ-22	GAK-200	8-15
43	200WQ250-22-30	200	250	22	1450	30	71	800	THJ-30	GAK-200	12-22
44	200WQ350-25-37	200	350	25	1450	37	75	850	THJ-37	GAK-200	10-25
45	200WQ380-28-45	200	380	28	1450	45	70	920	THJ-45	GAK-200	10-25
46	200WQ400-30-55	200	400	30	1450	55	70	1000	THJ-55	GAK-200	13-30
47	250WQ600-9-30	250	600	9	1450	30	74	850	THJ-30	GAK-250	3-9
48	250WQ600-12-37	250	600	12	1450	37	78	850	THJ-37	GAK-250	5-12
49	250WQ600-15-45	250	600	15	1450	45	75	950	THJ-45	GAK-250	6-15
50	250WQ600-20-55	250	600	20	1450	55	73	1300	THJ-55	GAK-250	8-20
51	250WQ600-25-75	250	600	25	1450	75	73	1500	THJ-75	GAK-250	12-25
52	300WQ800-12-45	300	800	12	1450	45	76	1500	THJ-45	GAK-300	5-12
53	300WQ800-15-55	300	800	15	980	55	73	1550	THJ-55	GAK-300	8-15
54	300WQ600-20-55	300	600	20	980	55	75	1550	THJ-55	GAK-300	10-20
55	300WQ800-20-75	300	800	20	980	75	78	1600	THJ-75	GAK-300	10-20
56	300WQ950-20-90	300	950	20	980	90	80	1700	THR-90	GAK-300	11-20
57	300WQ1000-25-110	300	1000	25	980	110	82	2000	THR-110	GAK-300	12-25
58	300WQ800-32-110	300	800	32	1450	110	76	2000	THR-110	GAK-300	15-32
59	350WQ1100-10-55	350	1100	10	980	55	84.5	1380	THJ-55	GAK-350	4-10
60	350WQ1500-15-90	350	1500	15	980	90	82.5	2000	THR-90	GAK-350	6-15
61	350WQ1200-18-90	350	1200	18	980	90	83.1	2000	THR-90	GAK-350	8-18
62	350WQ1100-28-132	350	1100	28	740	132	83.2	2520	THR-132	GAK-350	15-25
63	350WQ1000-36-160	350	1000	36	740	160	78.5	2880	THR-160	GAK-350	20-36
64	400WQ1500-10-75	400	1500	10	980	75	82.1	1750	THJ-75	GAK-400	3-10
65	400WQ2000-15-132	400	2000	15	740	132	85.5	2520	THR-132	GAK-400	6-15
66	400WQ1700-22-160	400	1700	22	740	160	82.1	2880	THR-160	GAK-400	10-22
67	400WQ1500-26-160	400	1500	26	740	160	83.2	1880	THR-160	GAK-400	12-36
68	400WQ1700-30-200	400	1700	30	740	200	83.5	3850	THR-200	GAK-400	15-30
69	400WQ1800-32-250	400	1800	32	740	250	82.1	4690	THR-250	GAK-400	17-32
70	400WQ1780-7.5-55	400	1780	7.5	980	55	82.3	2000	THJ-55	GAK-400	4-7.5
71	500WQ2500-10-110	500	2500	10	740	110	82	2100	THR-110	GAK-500	2-10
72	500WQ2600-15-160	500	2600	15	740	160	83	2280	THR-160	GAK-500	4-15
73	500WQ2400-22-220	500	2400	22	740	220	84	2350	THR-220	GAK-500	8-22
74	500WQ2600-24-250	500	2600	24	740	250	82	2650	THR-250	GAK-500	10-24



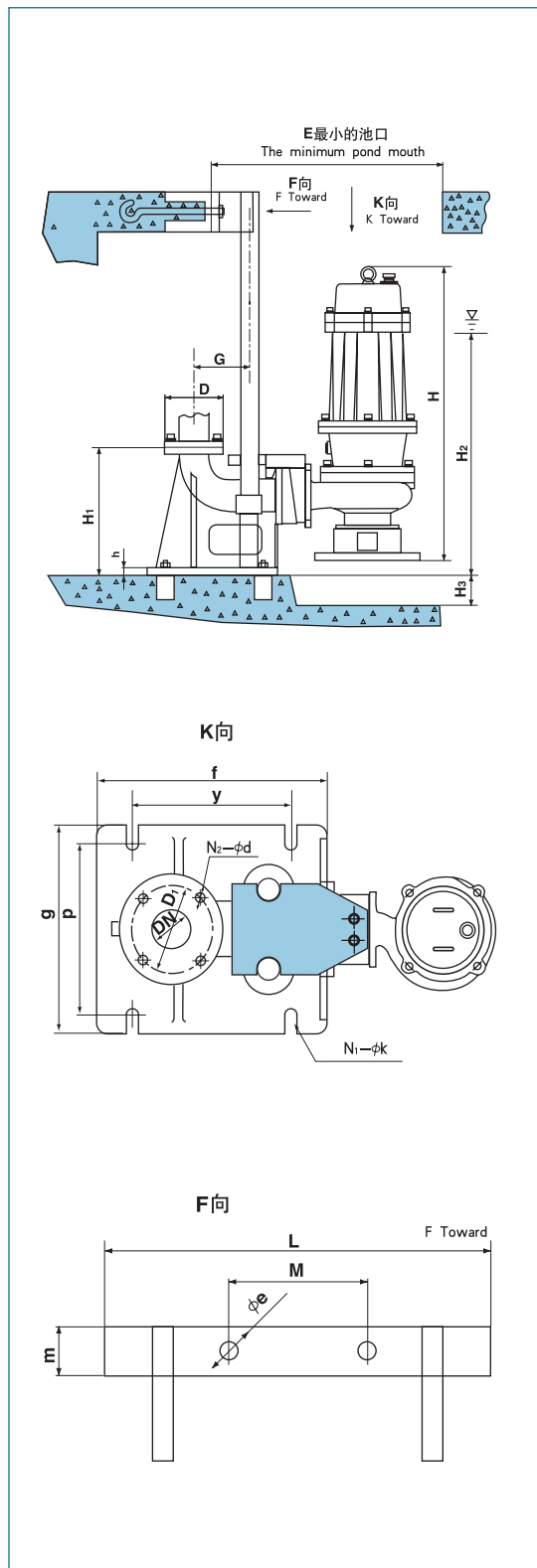
WQ系列 污水潜水电泵

WQ series sewage water
submersible electric pump

安装尺寸表 Installation dimension table

序号 No.	型号 Type	ØD1	DN	ØD	H	G	H ₁	H ₂	H ₃	h	N1-ØK	g
1	50WQ7-15-1.1	110	50	140	480	70	270	360	100	16	4-Ø16	260
2	50WQ15-7-1.1	110	50	140	480	70	270	380	100	16	4-Ø16	260
3	50WQ15-20-2.2	110	50	140	550	70	270	400	100	16	4-Ø16	260
4	50WQ15-30-3	110	50	140	555	70	270	450	100	16	4-Ø16	260
5	50WQ20-15-1.5	110	50	140	540	70	270	450	100	16	4-Ø16	260
6	50WQ25-32-5.5	110	50	140	730	70	270	450	100	16	4-Ø16	260
7	50WQ25-40-5.5	110	50	140	730	70	270	450	100	16	4-Ø16	260
8	50WQ25-24-3	110	50	140	555	100	315	600	150	20	4-Ø18	275
9	65WQ20-18-2.2	130	65	160	550	100	315	500	150	20	4-Ø18	275
10	80WQ30-26-4	150	80	190	680	100	360	440	150	25	4-Ø18	290
11	80WQ43-13-3	150	80	190	600	100	360	440	150	25	4-Ø18	290
12	80WQ40-15-3	150	80	190	600	100	360	440	150	25	4-Ø18	290
13	80WQ45-22-7.5	150	80	190	770	100	360	440	150	25	4-Ø18	290
14	100WQ80-10-4	170	100	210	660	150	410	550	200	25	4-Ø20	340
15	100WQ65-18-5.5	170	100	210	720	150	410	550	200	25	4-Ø20	340
16	100WQ50-10-4.0	170	100	210	660	150	410	550	200	25	4-Ø20	340
17	100WQ110-10-5.5	170	100	210	800	150	410	560	200	25	4-Ø20	340
18	100WQ100-15-7.5	170	100	210	800	150	410	560	200	25	4-Ø20	340
19	100WQ80-20-7.5	170	100	210	800	150	410	560	200	25	4-Ø20	340
20	100WQ100-25-11	170	100	210	900	150	410	600	200	25	4-Ø20	340
21	100WQ100-30-15	170	100	210	950	150	410	630	200	25	4-Ø20	340
22	100WQ100-35-18.5	170	100	210	1000	150	410	690	200	25	4-Ø20	340
23	125WQ130-15-11	200	125	240	960	200	525	630	250	25	4-Ø20	600
24	125WQ130-20-15	200	125	240	960	200	525	630	250	25	4-Ø20	600
25	150WQ145-9-7.5	225	150	265	850	200	525	630	250	25	4-Ø20	600
26	150WQ180-15-15	225	150	265	960	200	525	630	250	25	4-Ø20	600
27	150WQ180-20-18.5	225	150	265	1020	200	525	630	250	25	4-Ø20	600
28	150WQ180-25-22	225	150	265	1020	200	525	630	250	25	4-Ø20	600
29	150WQ130-30-22	225	150	265	1180	200	525	630	250	25	4-Ø20	600
30	150WQ180-30-30	225	150	280	1230	200	525	630	250	25	4-Ø20	600
31	150WQ200-30-37	225	150	280	1300	200	525	630	250	25	4-Ø20	600
32	200WQ300-7-11	280	200	320	1130	240	590	450	250	30	4-Ø24	510
33	200WQ250-11-15	280	200	320	1180	240	590	450	250	30	4-Ø24	510
34	200WQ400-10-22	280	200	320	1200	240	590	480	250	30	4-Ø24	510
35	200WQ400-13-30	280	200	320	1250	240	590	480	250	30	4-Ø24	510
36	200WQ250-15-18.5	280	200	320	1200	240	590	480	250	30	4-Ø24	510

p	f	y	N ₂ -Ød	L	M	m	E × E
230	310	215	4-Ø14	500	395	100	600 × 600
230	310	215	4-Ø14		395	100	600 × 600
230	310	215	4-Ø14		395	100	600 × 600
230	310	215	4-Ø14		395	100	600 × 600
230	310	215	4-Ø14		395	100	650 × 600
230	310	215	4-Ø14		395	100	650 × 600
250	300	225	4-Ø14		395	100	650 × 600
250	300	225	4-Ø14		395	100	650 × 600
260	330	260	4-Ø18		395	100	650 × 600
260	330	260	4-Ø18		395	100	650 × 600
260	330	260	4-Ø18		395	100	650 × 600
260	330	260	4-Ø18		395	100	650 × 600
305	400	310	4-Ø18		395	100	650 × 600
305	400	310	4-Ø18		395	100	650 × 600
305	400	310	4-Ø18		395	100	750 × 650
305	400	310	4-Ø18		437	100	750 × 650
305	400	310	4-Ø18		437	100	750 × 650
305	400	310	4-Ø18		437	100	750 × 650
305	400	310	4-Ø18		437	100	750 × 650
305	400	310	4-Ø18		437	100	750 × 650
305	400	310	4-Ø18		437	100	750 × 650
520	560	480	8-Ø18		437	100	750 × 650
520	560	480	8-Ø18		437	100	750 × 650
520	560	480	8-Ø18		525	100	1000 × 750
520	560	480	8-Ø18		525	100	1000 × 750
520	560	480	8-Ø18		525	100	1000 × 750
520	560	480	8-Ø18		525	100	1000 × 750
520	560	480	8-Ø18		525	100	1000 × 750
520	560	480	8-Ø18	525	100	1000 × 750	
520	560	480	8-Ø18	525	100	1000 × 800	
460	520	400	8-Ø18	600	525	100	1000 × 800
460	520	400	8-Ø18	600	525	100	1000 × 800
460	520	400	8-Ø18	600	525	100	1000 × 800
460	520	400	8-Ø18	600	525	100	1000 × 800
460	520	400	8-Ø18	600	525	100	1000 × 800





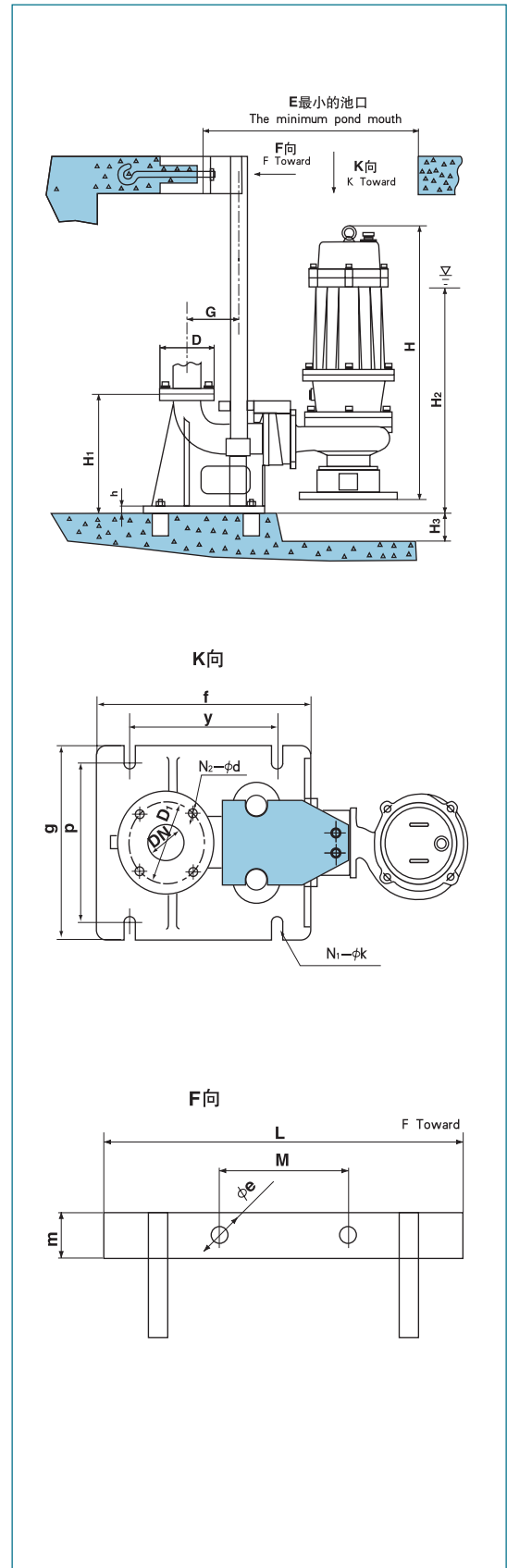
WQ系列 污水潜水电泵

WQ series sewage water
submersible electric pump

安装尺寸表 Installation dimension table

序号 No.	型号 Type	ØD1	DN	ØD	H	G	H ₁	H ₂	H ₃	h	N1-ØK	g
37	200WQ300-15-22	280	200	320	1200	240	590	500	250	30	4-Ø24	510
38	200WQ250-22-30	280	200	320	1250	240	590	500	250	30	4-Ø24	510
39	200WQ350-25-37	280	200	320	1350	240	590	500	250	30	4-Ø24	510
40	200WQ380-28-45	280	200	320	1400	240	590	500	250	30	4-Ø24	510
41	200WQ400-30-55	280	200	320	1450	240	590	500	250	30	4-Ø24	510
42	250WQ600-9-30	350	250	390	1650	250	730	510	350	30	4-Ø28	560
43	250WQ600-12-37	350	250	390	1650	250	730	510	350	30	4-Ø28	560
44	250WQ600-15-45	350	250	390	1650	250	730	510	350	30	4-Ø28	560
45	250WQ600-20-55	350	250	390	1690	250	730	510	350	30	4-Ø28	560
46	250WQ600-25-75	350	250	390	1720	250	730	510	350	30	4-Ø28	560
47	300WQ800-12-45	395	300	440	1650	370	770	540	400	45	4-Ø40	880
48	300WQ800-15-55	395	300	440	2040	370	770	540	400	45	4-Ø40	880
49	300WQ600-20-55	395	300	440	2050	370	770	540	400	45	4-Ø40	880
50	300WQ800-20-75	395	300	440	2100	370	770	540	400	45	4-Ø40	880
51	300WQ950-20-90	395	300	440	2200	370	770	540	400	45	4-Ø40	880
52	300WQ1000-25-110	395	300	440	2200	370	770	540	400	45	4-Ø40	880
53	300WQ800-32-110	395	300	440	2200	370	770	540	400	45	4-Ø40	880
54	350WQ1100-10-55	445	350	490	1950	400	770	650	450	45	4-Ø40	880
55	350WQ1500-15-90	445	350	490	2160	400	770	650	450	45	4-Ø40	880
56	350WQ1200-18-90	445	350	490	2160	400	770	650	450	45	4-Ø40	880
57	350WQ1100-28-132	445	350	490	2500	400	770	650	450	45	4-Ø40	880
58	350WQ1000-36-160	445	350	490	2600	400	770	650	450	45	4-Ø40	880
59	400WQ1500-10-75	515	400	560	2100	400	900	800	500	45	4-Ø40	950
60	400WQ2000-15-132	515	400	560	2500	400	900	800	500	45	4-Ø40	950
61	400WQ1700-22-160	515	400	560	2600	400	900	800	500	45	4-Ø40	950
62	400WQ1500-26-160	515	400	560	2600	400	900	800	500	45	4-Ø40	950
63	400WQ1700-30-200	515	400	560	2650	400	900	800	500	45	4-Ø40	950
64	400WQ1800-32-250	515	400	560	2690	400	900	800	500	45	4-Ø40	950
65	400WQ1760-7.5-55	515	400	560	2560	400	900	800	500	45	4-Ø40	950
66	500WQ2500-10-110	620	500	670	2750	400	1350	800	500	50	4-Ø48	950
67	500WQ2600-15-160	620	500	670	2750	400	1350	800	500	50	4-Ø48	950
68	500WQ2400-22-220	620	500	670	2860	400	1350	800	500	50	4-Ø48	950
69	500WQ2600-24-250	620	500	670	2860	400	1350	800	500	50	4-Ø48	950

p	f	y	N ₂ -Ød	L	M	m	E × E
460	520	400	8-Ø18	600	525	100	1300 × 900
460	520	400	8-Ø18	600	525	100	1300 × 900
460	520	400	8-Ø18	600	525	100	1300 × 900
460	520	400	8-Ø18	600	525	100	1400 × 1000
460	520	400	8-Ø18	600	525	100	1400 × 1000
510	630	470	12-Ø18	700	630	150	1400 × 1000
510	630	470	12-Ø18	700	630	150	1400 × 1000
510	630	470	12-Ø18	700	630	150	1400 × 1000
510	630	470	12-Ø18	700	630	150	1400 × 1000
510	630	470	12-Ø18	700	630	150	1400 × 1000
510	630	470	12-Ø18	700	630	150	1400 × 1000
780	900	770	12-Ø23	700	630	150	1400 × 1000
780	900	770	12-Ø23	700	630	200	1800 × 1300
780	900	770	12-Ø23	700	630	200	1800 × 1300
780	900	770	12-Ø23	700	630	200	1800 × 1300
780	900	770	12-Ø23	700	630	200	1800 × 1300
780	900	770	12-Ø23	700	630	200	1800 × 1300
780	900	770	12-Ø23	700	630	200	1800 × 1300
780	900	770	12-Ø23	700	630	200	1800 × 1300
780	900	770	12-Ø23	700	630	200	1800 × 1300
780	900	770	12-Ø23	700	630	200	1800 × 1300
780	900	770	12-Ø23	700	630	200	1800 × 1300
780	900	770	12-Ø23	700	630	200	1800 × 1300
780	900	770	12-Ø23	700	630	200	1800 × 1300
780	900	770	12-Ø23	700	630	200	1800 × 1300
850	980	880	16-Ø26	700	630	200	1800 × 1400
850	980	880	16-Ø26	700	630	200	1800 × 1400
850	980	880	16-Ø26	700	630	200	1900 × 1500
850	980	880	16-Ø26	700	630	200	1800 × 1400
850	980	880	16-Ø26	700	630	200	1900 × 1500
850	980	880	16-Ø26	700	630	200	1900 × 1500
850	980	880	16-Ø26	700	630	200	2000 × 1650
830	1260	1140	20-Ø26	1000	830	200	2100 × 1700
830	1260	1140	20-Ø26	1000	830	200	1900 × 1500
830	1260	1140	20-Ø26	1000	830	200	2100 × 1600
830	1260	1140	20-Ø26	1000	830	200	2300 × 2000





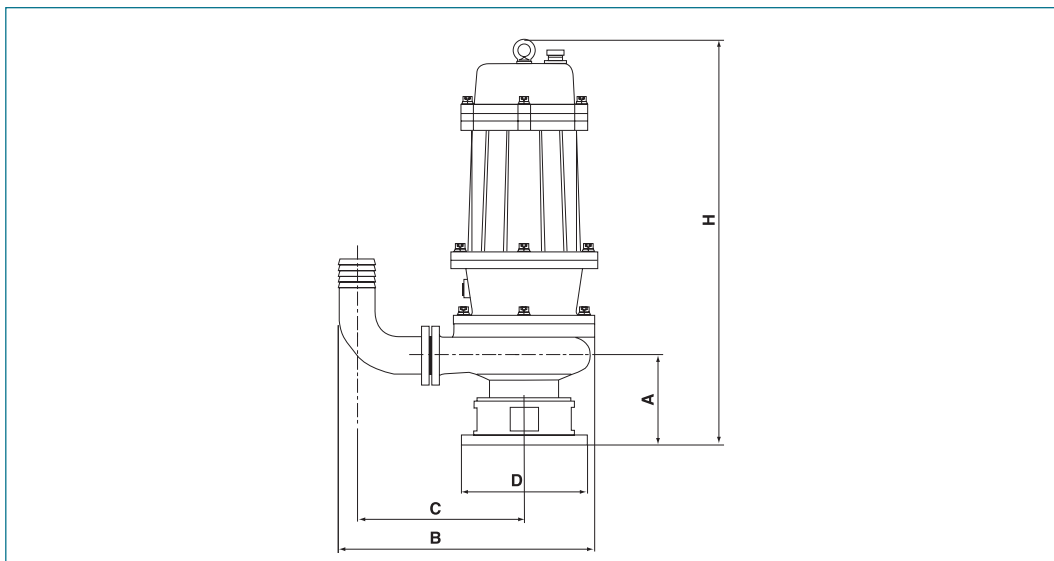
WQ系列 污水潜水电泵

WQ series sewage water submersible electric pump

安装尺寸表 Installation dimension table

序号	型号	A	B	C	D	H
	Type					
1	50WQ7-15-1.1	95	300	185	185	480
2	50WQ10-10-0.75	95	300	185	185	470
3	50WQ15-7-1.1	95	300	185	185	480
4	50WQ15-20-2.2	110	325	205	230	550
5	50WQ15-30-3	110	325	205	230	555
6	50WQ20-15-1.5	110	325	205	230	540
7	50WQ25-32-5.5	155	410	255	240	730
8	50WQ25-40-5.5	125	360	200	260	680
9	50WQ25-24-3	125	350	210	200	555
10	65WQ20-18-2.2	100	330	200	215	530
11	80WQ30-26-4	125	420	270	240	680
12	80WQ43-13-3	165	445	295	310	600
13	80WQ40-15-3	165	445	295	310	600
14	80WQ45-22-7.5	175	490	325	310	770
15	100WQ50-10-4	150	420	255	220	660
16	100WQ65-18-5.5	150	420	255	220	720
17	100WQ80-10-4	185	620	420	350	660
18	100WQ110-10-5.5	185	650	420	350	800
19	100WQ100-15-7.5	210	650	420	350	800
20	100WQ85-20-7.5	225	650	420	350	800
21	100WQ100-25-11	225	710	450	420	900
22	100WQ100-30-15	225	740	485	420	950
23	100WQ100-35-18.5	225	740	485	470	1000
24	125WQ130-15-11	225	740	470	420	960
25	125WQ130-20-15	225	740	470	420	960
26	150WQ145-9-7.5	225	770	480	420	850
27	150WQ180-15-15	225	780	480	470	960
28	150WQ180-20-18.5	250	780	480	470	1020
29	150WQ180-25-22	250	780	480	470	1020
30	150WQ130-30-22	250	860	520	470	1180
31	150WQ180-30-30	275	860	520	540	1230
32	150WQ200-30-37	275	860	520	540	1300
33	200WQ300-7-11	275	900	560	540	1130
34	200WQ250-11-15	275	900	560	540	1180
35	200WQ400-10-22	275	900	560	540	1200
36	200WQ400-13-30	275	900	560	540	1250
37	200WQ250-15-18.5	275	900	560	540	1200
38	200WQ300-15-22	275	900	560	540	1200
39	200WQ250-22-30	275	900	560	540	1250
40	200WQ350-25-37	275	900	560	540	1350

序号	型 号	A	B	C	D	H
	Type					
41	200WQ400-30-55	290	920	580	540	1400
42	250WQ600-9-30	320	1100	650	540	1450
43	250WQ600-12-37	320	1100	650	540	1650
44	250WQ600-15-45	320	1080	650	540	1650
45	250WQ600-20-55	320	1080	650	540	1690
46	250WQ600-25-75	320	1100	650	540	1720
47	250WQ800-12-45	320	1080	650	540	1650
48	300WQ500-15-45	400	1200	800	600	2040
49	300WQ800-20-55	400	1200	800	600	2040
50	300WQ600-20-55	400	1200	800	600	2050
51	300WQ800-20-75	400	1200	800	600	2100
52	300WQ950-20-90	400	1200	800	600	2200
53	300WQ1000-25-110	400	1200	800	600	2200
54	350WQ1100-10-55	450	1350	950	600	1950
55	350WQ1500-15-90	450	1350	950	600	2160
56	350WQ1200-18-90	450	1350	950	600	2160
57	350WQ1100-18-132	450	1350	950	600	2500
58	350WQ1000-36-160	450	1350	950	600	2600
59	400WQ1500-10-75	510	1480	1100	700	2100
60	400WQ2000-15-132	510	1480	1100	700	2500
61	400WQ1700-22-160	510	1480	1100	700	2600
62	400WQ1500-26-160	510	1480	1100	700	2620
63	400WQ1700-30-200	510	1480	1100	700	2650
64	400WQ1800-32-250	510	1480	1100	700	2860

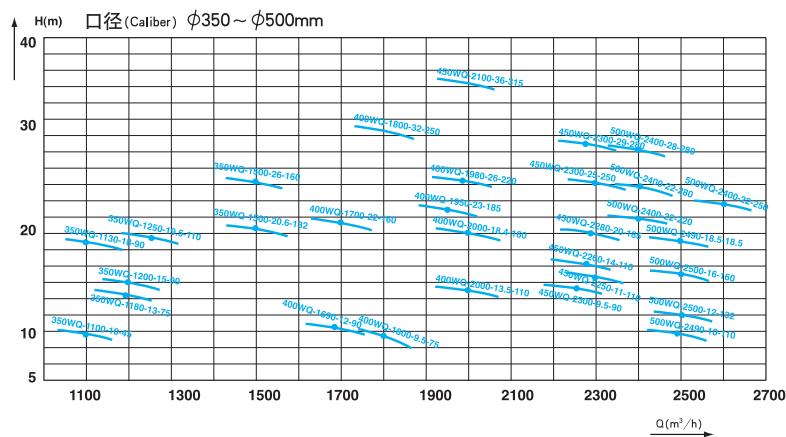
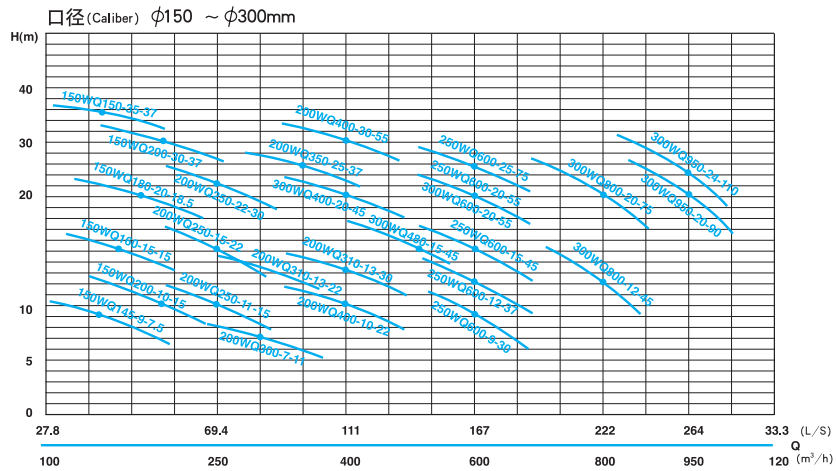
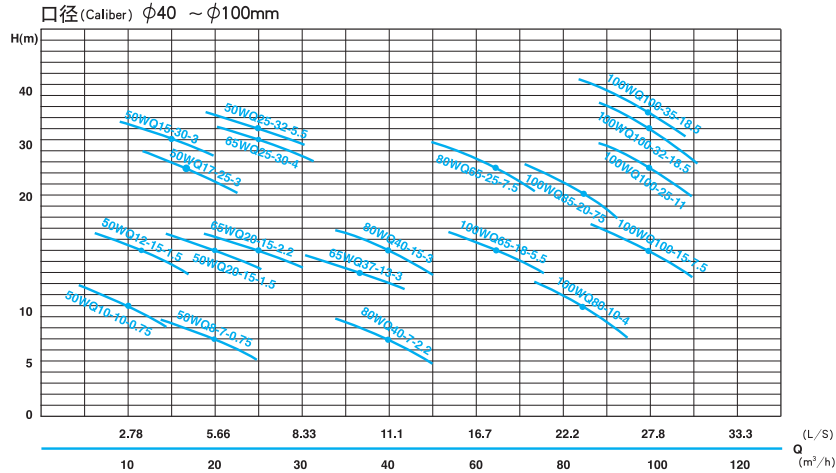




WQ系列 污水潜水电泵

WQ series sewage water submersible electric pump

性能曲线图 Performance curves



数据更新, 恕不另行通知。
 Data is subject to changes without notice beforehand.